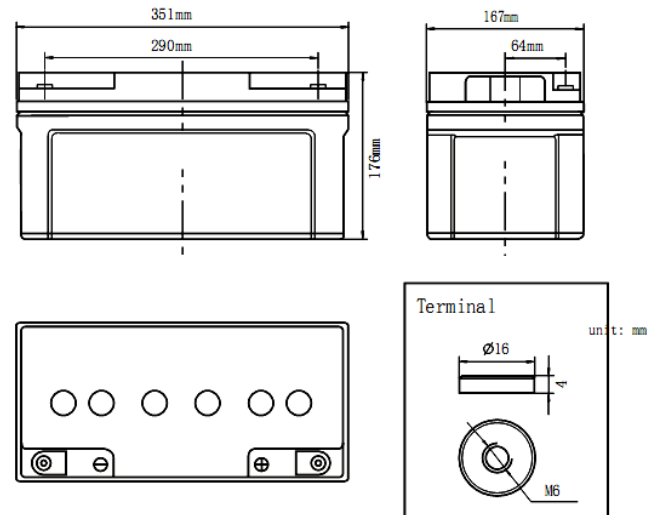


CHARACTERISTICS

Nominal Voltage		12V
Nominal Capacity (20 hour rate)		260Ah
Capacity 25°C	10 hour rate (9.0A)	234Ah
	5 hour rate (15.9A)	207Ah
	1 hour rate (55.4A)	144.1Ah
Internal Resistance	Full Charged Battery 25°C	≤1.6mΩ
Capacity affected by Temperature (10 hour)	40°C	102%
	25°C	100%
	0°C	85%
	-15°C	65%
Self-Discharge 25°C Capacity	after 3 month storage	90%
	after 6 month storage	80%
	after 12 month storage	62%
Charge (Constant Voltage) 25°C	Float	Initial Charging Current Less than 16.3A Voltage 13.6-13.8V
	Cycle	Initial Charging Current Less than 16.3A Voltage 14.4-14.9V

PACKAGING

Battery Dimensions	Length	350mm
	Width	167mm
	Height	178mm
	Total Height	178mm
Box Dimensions	Length	365mm
	Width	181mm
	Height	224mm
Quantity Per Box	1 PC per box	
Net weight Per Cell	20.2 kg±3%	
Net weight Per Box	20.2kg	
Gross Weight	20.7kg	



Discharge Constant Current per Cell (Amperes at 25°C)

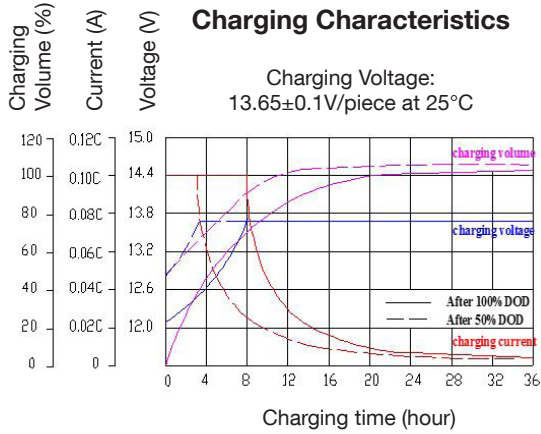
F.V/Time	15min	30min	45min	1h	2h	3h	5h	8h	10h	20h
1.60V	109.7	68.3	49.0	43.2	26.4	19.3	12.4	7.6	6.76	3.75
1.65V	105.2	66.5	47.7	42.1	25.9	18.9	12.2	7.5	6.70	3.72
1.70V	100.6	64.6	46.4	40.9	25.4	18.6	12.1	7.4	6.63	3.68
1.75V	96.0	62.8	45.1	39.8	24.8	18.1	11.9	7.4	6.57	3.64
1.80V	91.5	61.0	43.7	38.6	24.2	17.7	11.7	7.3	6.50	3.61

Discharge Constant Current per Cell (Watts at 25°C)

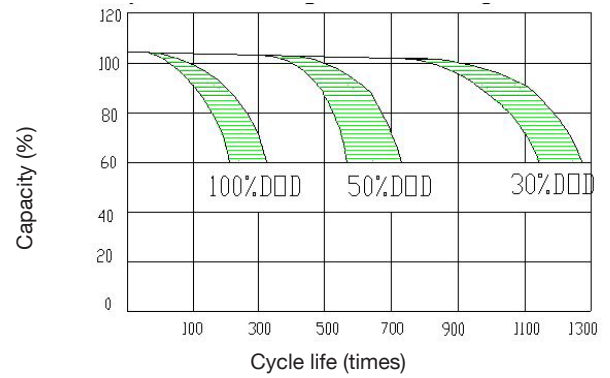
F.V/Time	15min	30min	45min	1h	2h	3h	5h	8h	10h	20h
1.60V	204.7	127.4	91.4	80.6	49.2	35.9	23.1	14.1	12.6	7.0
1.65V	196.1	123.9	88.9	78.5	48.3	35.3	22.8	14.0	12.5	6.9
1.70V	187.6	120.5	86.5	76.3	47.4	34.6	22.5	13.8	12.4	6.9
1.75V	179.1	117.1	84.0	74.2	46.2	33.8	22.1	13.7	12.2	6.8
1.80V	170.6	113.7	81.6	72.0	45.1	33.0	21.8	13.6	12.1	6.7

Note: The above data are average values, and can be obtained within 3 charge/discharge cycles. These are not minimum values. Cell and battery designs/specifications are subject to modification without notice. Contact R&J for the latest information.

PERFORMANCE CHARACTERISTICS

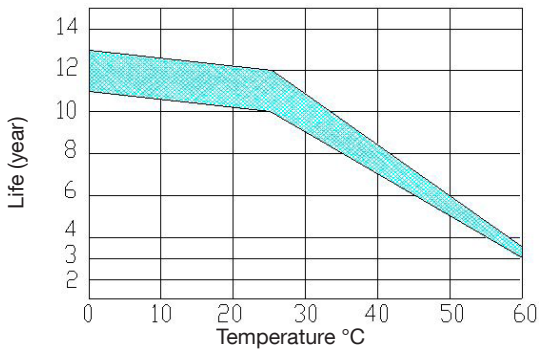


Cycle life Vs Depth of discharge (25°C)

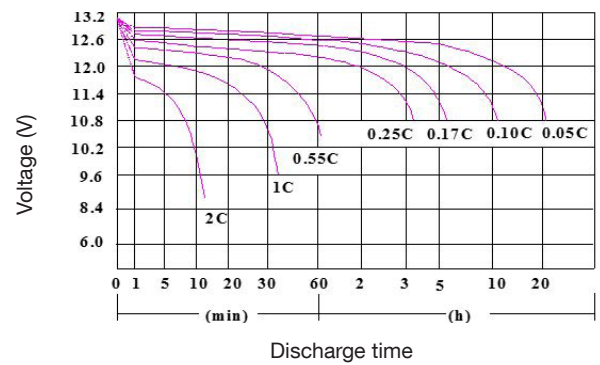


Temperature effect on designed float life

Float charging Voltage: $13.65 \pm 0.01V/\text{piece}$ at 25°C



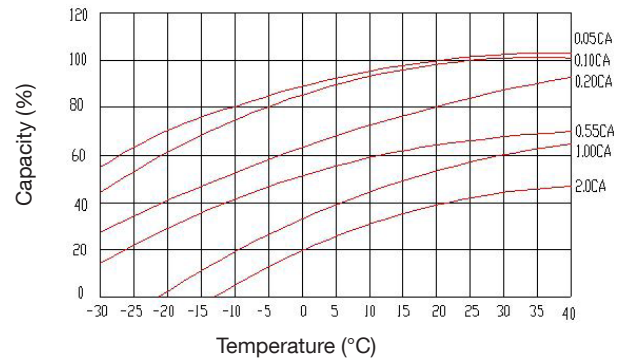
Discharge characteristics (25°C)



Temperature effect on battery self-discharge



Temperature effect on capacity



BATTERY CONSTRUCTION

Component	Positive plate	Negative plate	Container	Cover	Safety valve	Terminal	Separator	Electrolyte
Raw material	Lead dioxide	Lead	ABS	ABS	Si-Rubber	Copper	Fiberglass	Sulfuric acid