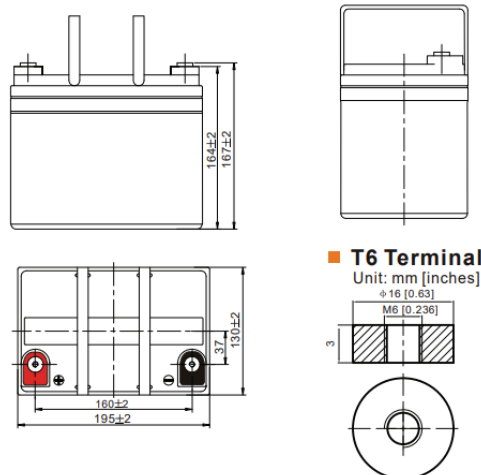


## Technical Information

The Predator ES series are an Absorbent Glass Mat (AGM) battery designed for general purpose & standby applications including UPS, communication & security systems. Their ActivFire certification makes them an excellent choice for fire panel applications.

The valve regulated, non-spillable design delivers outstanding cycle life and a low self discharge rate. The Predator ES series are manufactured in a facility which is ISO 9001, 14001 & 45001 certified.

For deep cycle applications, the Predator ED series are recommended.

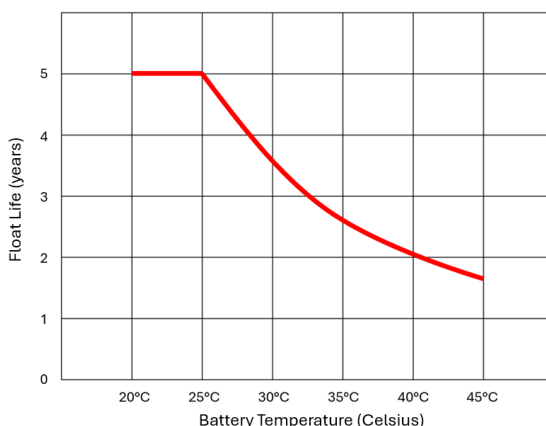


## Features & Benefits



- ActivFire Certified
- Heavy Duty, Non-Spillable Design
- Glass Mat Separator Construction
- High Energy Density
- Low Self Discharge
- 5 years design life (@25°C)

### Float Service Life @ 25°C



## Technical Specifications

<b>Battery Type</b>	General Purpose AGM	<b>Case Material</b>	ABS
<b>Voltage</b>	12V	<b>Case Colour</b>	Blue Case, White Lid
<b>Capacity (20 / 10 / 5Hr)</b>	35 / 32.6 / 29.8Ah	<b>Charge Current</b>	Recommended: 3.5A Maximum: 8.75A
<b>Internal Resistance (25°C)</b>	Approx. 11mΩ	<b>Charge Voltage</b>	14.1 – 14.4V @25°C (Temp. Coeff. -30mV/°C)
<b>Overall Size (LxWxH ±2mm)</b>	195 x 130 x 178mm	<b>Float Voltage</b>	13.5 – 13.8V @25°C (Temp. Coeff. -20mV/°C)
<b>Nominal Weight</b>	11.2kg	<b>Operating Temp. Charge</b>	0 to 40°C
<b>Max Discharge Current (5s)</b>	525A	<b>Operating Temp. Discharge</b>	-15 to 50°C