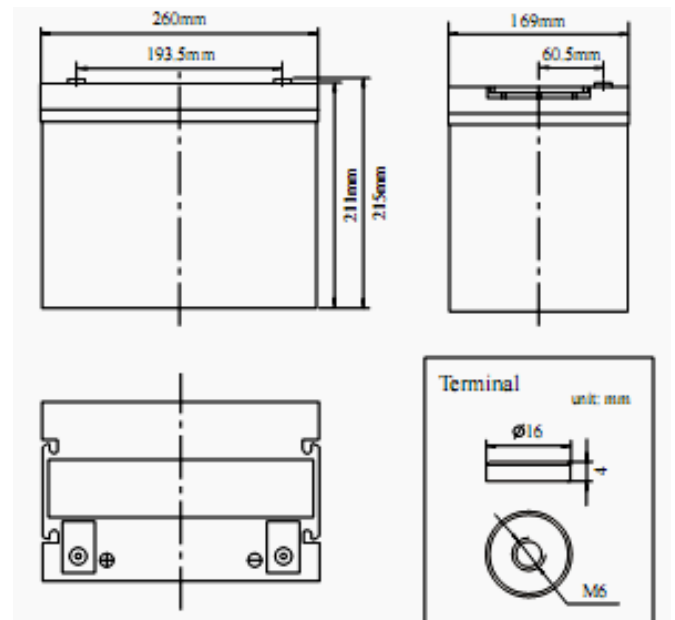


CHARACTERISTICS		
Nominal Voltage		12V
Nominal Capacity (20 hour rate)		70Ah
Capacity 25°C	10 hour rate (9.0A)	77.8Ah
	5 hour rate (15.9A)	64.0Ah
	1 hour rate (55.4A)	46.6Ah
Internal Resistance		Full Charged Battery 25°C ≤6.0mΩ
Capacity affected by Temperature (10 hour)	40°C	102%
	25°C	100%
	0°C	85%
	-15°C	65%
Self-Discharge 25°C Capacity	after 3 month storage	90%
	after 6 month storage	80%
	after 12 month storage	62%
Charge (Constant Voltage) 25°C	Float	Initial Charging Current Less than 17.5A Voltage 13.6-13.8V
	Cycle	Initial Charging Current Less than 17.5A Voltage 14.4-14.9V



PACKAGING		
Battery Dimensions	Length	260mm
	Width	169mm
	Height	211mm
	Total Height	215mm
Box Dimensions	Length	275mm
	Width	183mm
	Height	272mm
Quantity Per Box	1 PC per box	
Net weight Per Cell	21.7.0 kg±3%	
Net weight Per Box	21.7.0kg	
Gross Weight	22.2kg	

Discharge Constant Current per Cell (Amperes at 25°C)

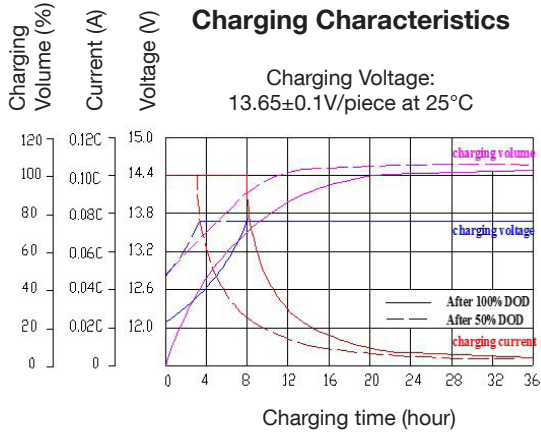
F.V/Time	15min	30min	45min	1h	2h	3h	5h	8h	10h	20h
1.60V	118.2	73.5	52.8	46.6	28.4	20.8	13.4	8.2	7.28	4.04
1.65V	113.3	71.6	51.3	45.3	27.9	20.4	13.2	8.1	7.21	4.00
1.70V	108.3	69.6	49.9	44.1	27.3	20.0	13.0	8.0	7.14	3.96
1.75V	103.4	67.6	48.5	42.8	26.7	19.5	12.8	7.9	7.07	3.92
1.80V	98.5	65.7	47.1	41.6	26.0	19.0	12.6	7.8	7.00	3.89

Discharge Constant Current per Cell (Watts at 25°C)

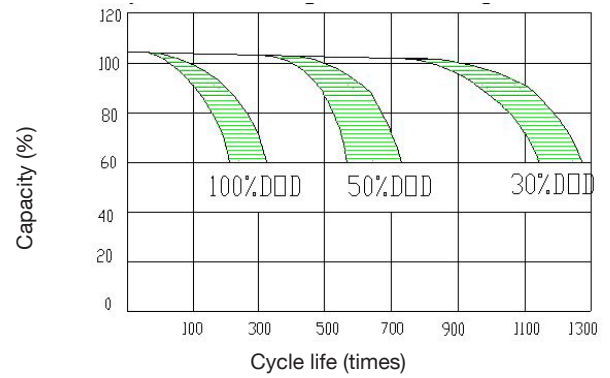
F.V/Time	15min	30min	45min	1h	2h	3h	5h	8h	10h	20h
1.60V	220.4	137.2	98.4	86.9	52.9	38.7	24.9	15.2	13.6	7.5
1.65V	211.2	133.5	95.8	84.5	52.0	38.0	24.6	15.1	13.4	7.5
1.70V	202.1	129.8	93.1	82.2	51.0	37.3	24.2	14.9	13.3	7.4
1.75V	192.9	126.1	90.5	79.9	49.8	36.4	23.9	14.8	13.2	7.3
1.80V	183.7	122.5	87.9	77.5	48.6	35.5	23.5	14.6	13.1	7.2

Note: The above data are average values, and can be obtained within 3 charge/discharge cycles. These are not minimum values. Cell and battery designs/specifications are subject to modification without notice. Contact R&J for the latest information.

PERFORMANCE CHARACTERISTICS

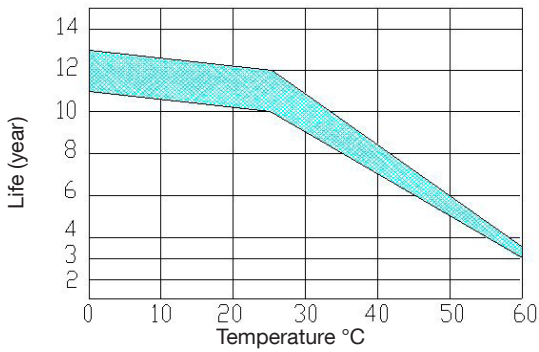


Cycle life Vs Depth of discharge (25°C)

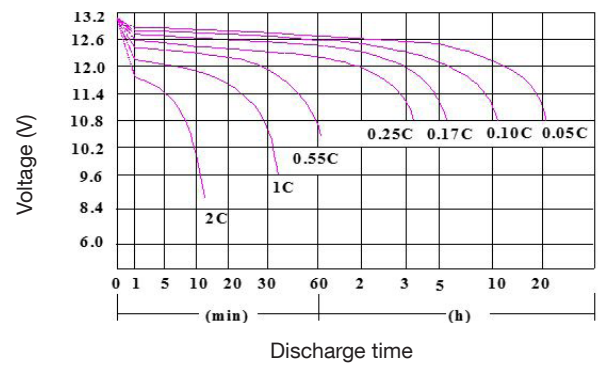


Temperature effect on designed float life

Float charging Voltage: $13.65 \pm 0.01V/\text{piece}$ at 25°C



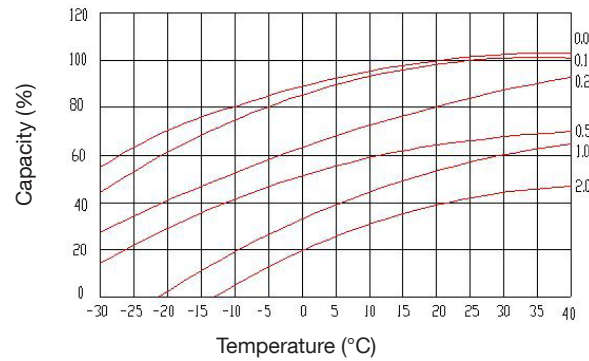
Discharge characteristics (25°C)



Temperature effect on battery self-discharge



Temperature effect on capacity



BATTERY CONSTRUCTION

Component	Positive plate	Negative plate	Container	Cover	Safety valve	Terminal	Separator	Electrolyte
Raw material	Lead dioxide	Lead	ABS	ABS	Si-Rubber	Copper	Fiberglass	Sulfuric acid